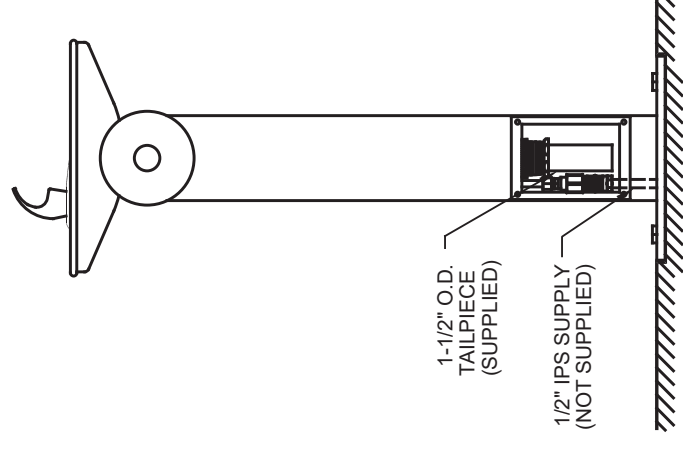
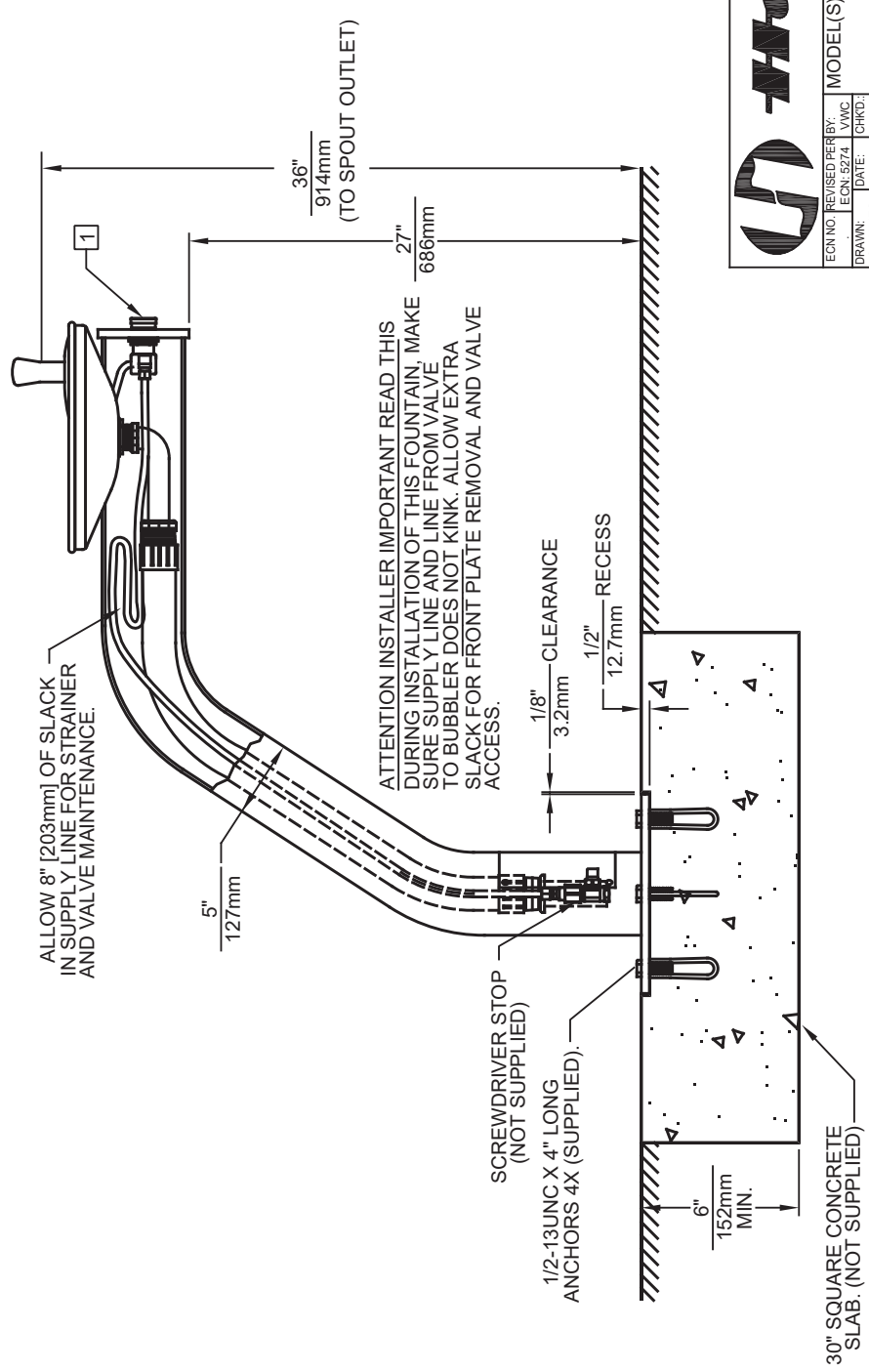
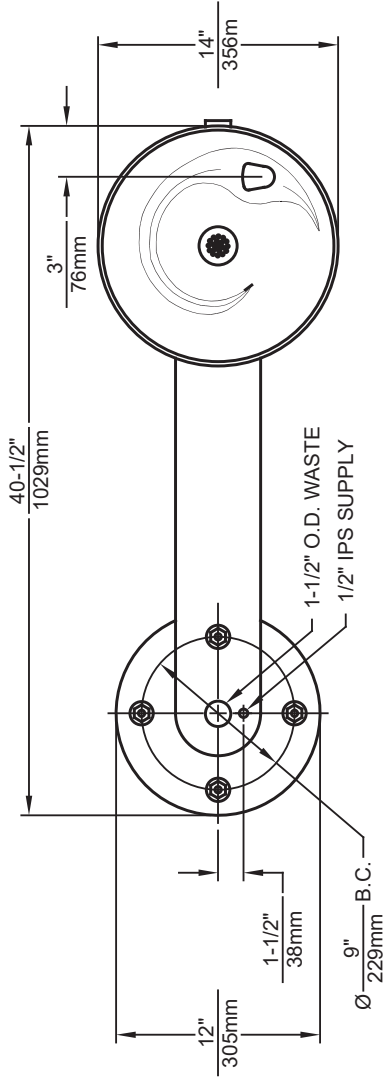


NOTES:

- 1 REFER TO 5874 SERIES OPERATION AND MAINTENANCE MANUAL FOR PUSH BUTTON AND VALVE INSTALLATION/ MAINTENANCE INSTRUCTIONS.



1455 KLEPPE LANE
SPARKS, NEVADA 89431
(775) 359-4712 FAX (775) 359-7424
E-MAIL: HAWS@HAWS.CO.COM
WEBSITE: WWW.HAWS.CO.COM

ECN NO:	REVISED PER BY:	VWC	MODEL(S)	3380/3380G
ECN: 5274	DATE:	CHKD:	PART NUMBER	0002077367.D
C. HAYES	07/27/02	VWC	REVISION	19
APPROVED:	DATE:	FV	SCALE:	1:12
	02/23/18		DRAWING TYPE:	INSTALLATION
			SIZE:	A 1 SHEET 1 OF 1